

Sculptform Click-on Cladding

Installation Guide - Series 1



Scan to view our
Installation Videos

IMPORTANT

This installation manual is intended to provide information that will enable designers, builders and owners to execute their projects effectively. Not all project types, design requirements and installation scenarios will be covered.

The Sculptform team are happy to assist with project-specific solutions by contacting us on 1800 008 828 or emailing support@sculptform.com.

Product recommendations throughout the manual are based on proven performance, however this does not mean that alternative uses are not possible. Differing expectations of what is considered “good performance” will vary, and Sculptform takes no responsibility for what may be considered “product failure.” It is important for designers, builders and owners to fully understand the product before making final selections.

It is the responsibility of designers, builders and owners to ensure that the information in this manual is current, by checking with Sculptform or referring to our website sculptform.com. As new technology is introduced or industry standards are altered, Sculptform reserves the right to alter existing specifications and delete product without notice.

The use of this manual does not:

- › guarantee acceptance or accreditation of a design, material or building solution by any entity authorised to do so under law;
- › mean that a design, material or building solution complies with the National Construction Code; or
- › absolve the user from complying with any local, State, Territory or Government legal requirements.

Taking Delivery

After being tallied and quality checked, each order is carefully packed, strapped and shrink wrapped. Our logistics department then arrange transport directly to your job site.

The following steps should be taken when accepting delivery:

1. Check against the consignment note that you have the correct quantity of packs.
2. Assess the overall condition of the packs. If there is any damage it should be recorded on the delivery document which is returned to the driver and the supplier must be notified immediately.
3. Find the packing slip which will be in a plastic sleeve on one of the packs. Check that every item is there and that the quantity is correct.
4. Do a quality check.
5. Notify Sculptform within 7 days of delivery if any items are out of specification.

Onsite storage

1. › If possible the product should be kept in its original pack until installation. If it is repacked, it should be done the same as the original pack to maintain quality.
2. › It should be stored in a cool dry place out of the weather until ready to install.
3. › Crates/packs should be tarped if being stored outside.

Contents

Product Overview	4
Basic Installation Procedure.....	5
Removing a Cladding Board.....	9
Joining Cladding Boards	10
Installing Curved Mounting Tracks	11
List of Components and Key Dimensions	13
Trims.....	15
Construction Details	17
External Corner Details	18
Base Detail.....	19
Top Capping.....	20
Internal Corner Details	21
Penetration Header Detail	22
Penetration Side Detail	22
Penetration Sill Footer Detail.....	23
Interstory detail/ Board Joint Detail	23
End Detail	24
Soffit Details.....	25

The Click-on Cladding System

Click-on Cladding Boards

Rainscreen facade skin,
available in a range of profiles.

Mounting Tracks

With factory spaced
and fitted clips.

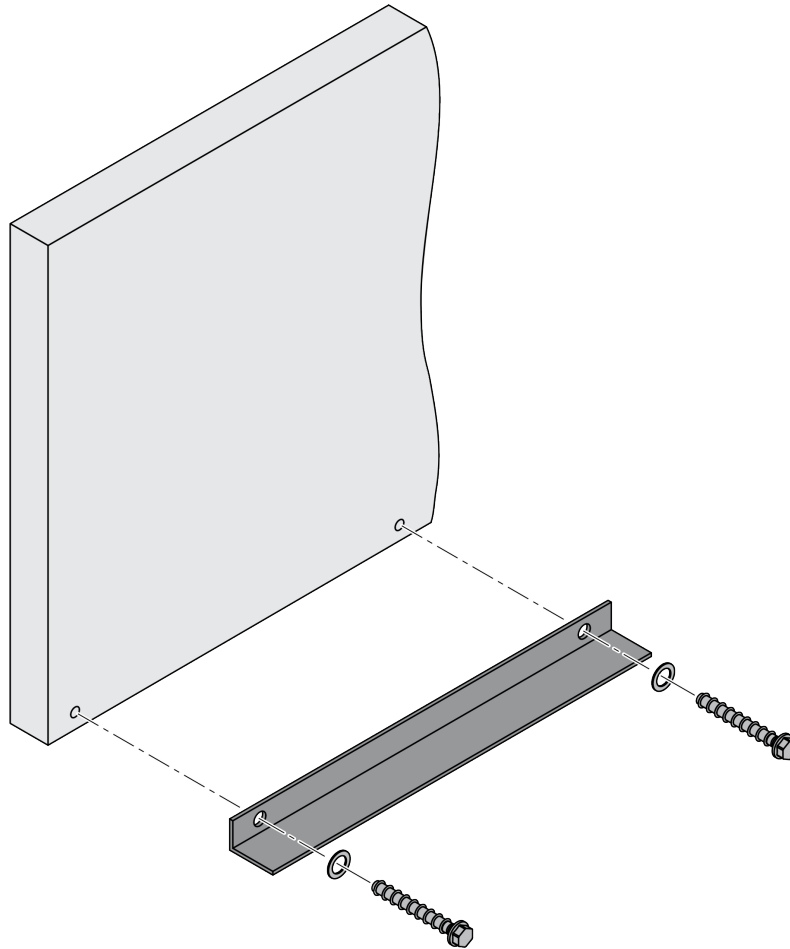
Substructure

Normally a stud frame, insulation
and a weather resistive
membrane.



Installation Procedure

1



1. Check your substrate is plumb and straight. Keep in mind, the mounting tracks run at 90° to the cladding boards. If installing onto a stud frame, the mounting tracks can be either running across or along the studs.

Note: The two-part 35x25mm Mounting Track has an in/out adjustment range of 6mm (25-31mm) to assist with this.

The Click-on Cladding system is a rainscreen skin designed to deflect most of the rain and protect the building wrap from the elements. The building wrap plays a crucial part in the weather tightness of the building.

Note: The building wrap may need to be install on top of some of the trims and flashings, refer to pages 17 for construction details.

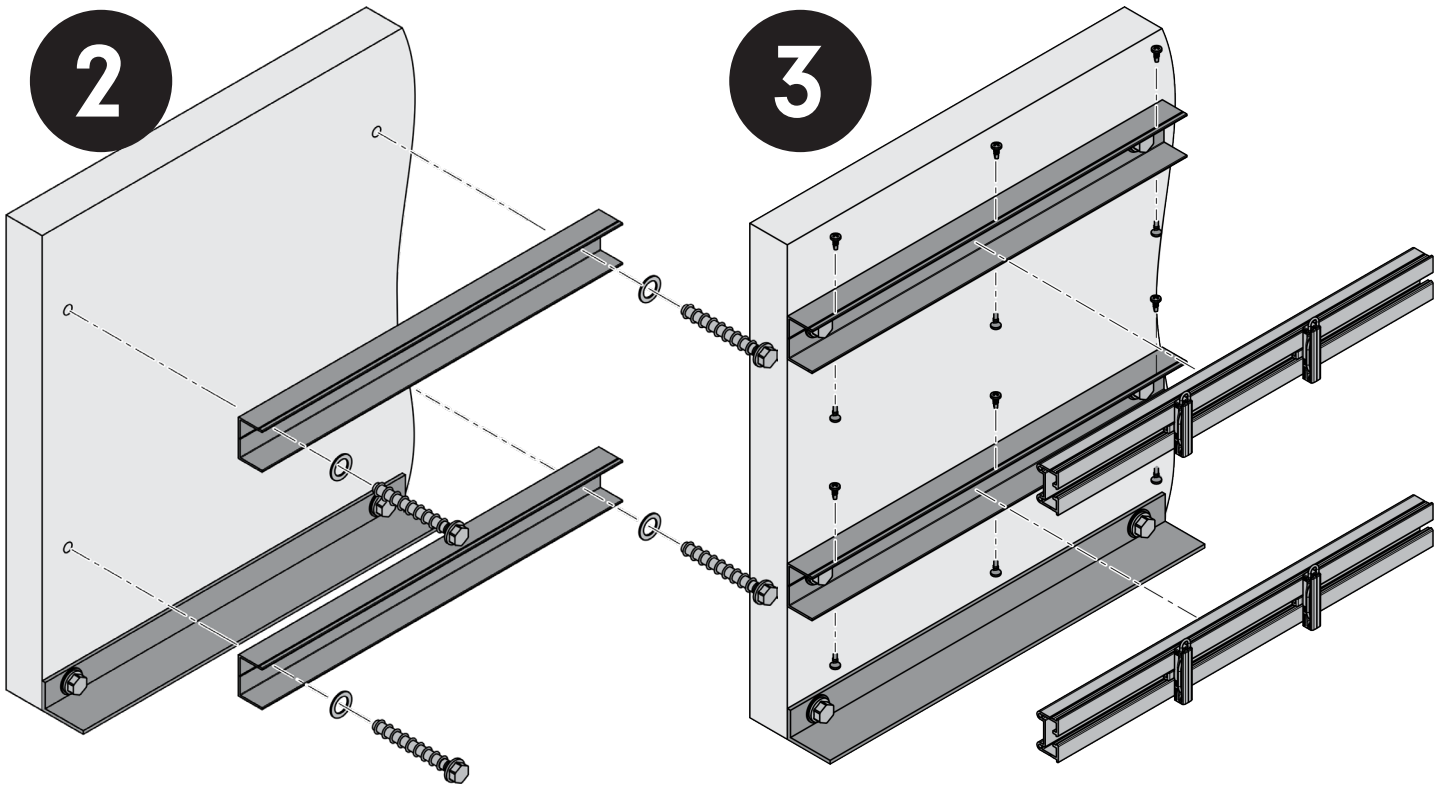
2. Always consider set out before you start, including your start and end points, penetrations and trims required. Refer to the construction details on page 17 for more information.
3. Install building wrap directly to the stud frame following manufacturers installation details. *(Be sure to use a high-quality membrane such as 'Proclima'; this is not supplied by Sculptform).*

4. To start, install the base trims and end trims.

For weatherproofing, sealing tape (*provided by your membrane supplier*) is usually required to seal the trims to the membrane.

Note: Where trims intersect, notch the back leg of the base angle so they finish flush.

Installation Procedure Continued



Fix the mounting track base to the substrate using suitable fixings.

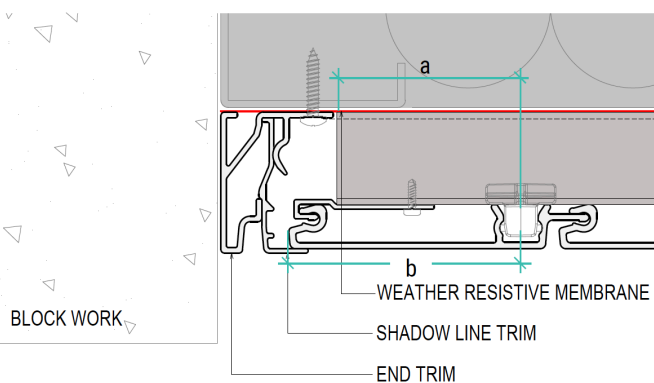
- Fixing centres are typically 600mm
- Screw spec to be confirmed by your engineer based on site specific windload and other engineering considerations.

Note: If installing curved track, also refer to the 'Installing Curved Mounting Tracks' section on page 11.

Fit the mounting track onto the base, ensuring the clips line up vertically and considering the start and end points. Refer to the detail below for list of profiles showing first clip positions. Stitch the mounting track and base together top and bottom using the black screws supplied.

Note: It is recommended to adjust your driver torque settings to suit. If too much torque is used there is a risk of snapping the screw heads off.

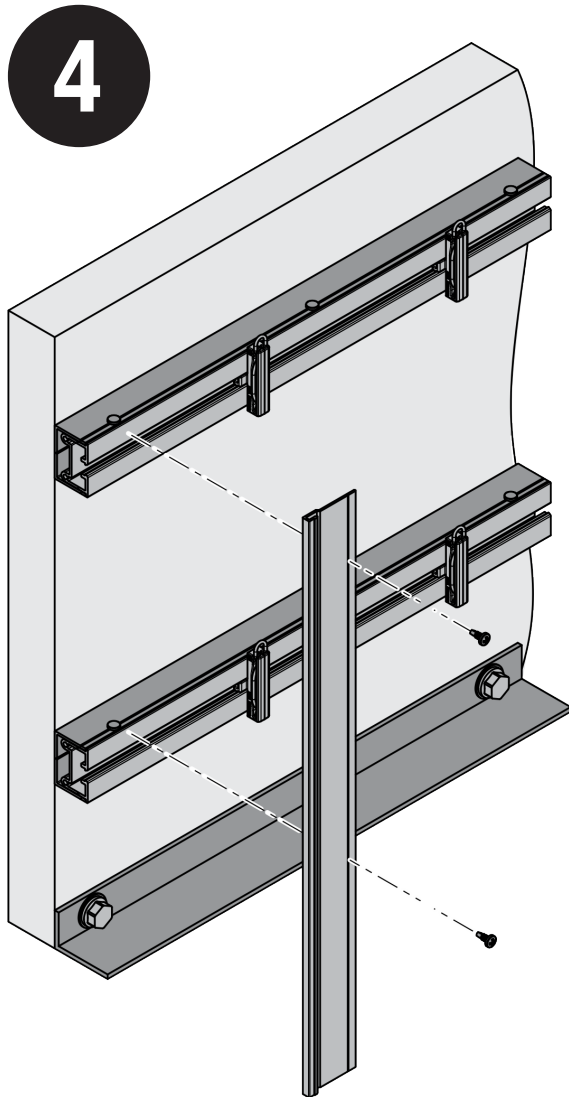
First clip distance



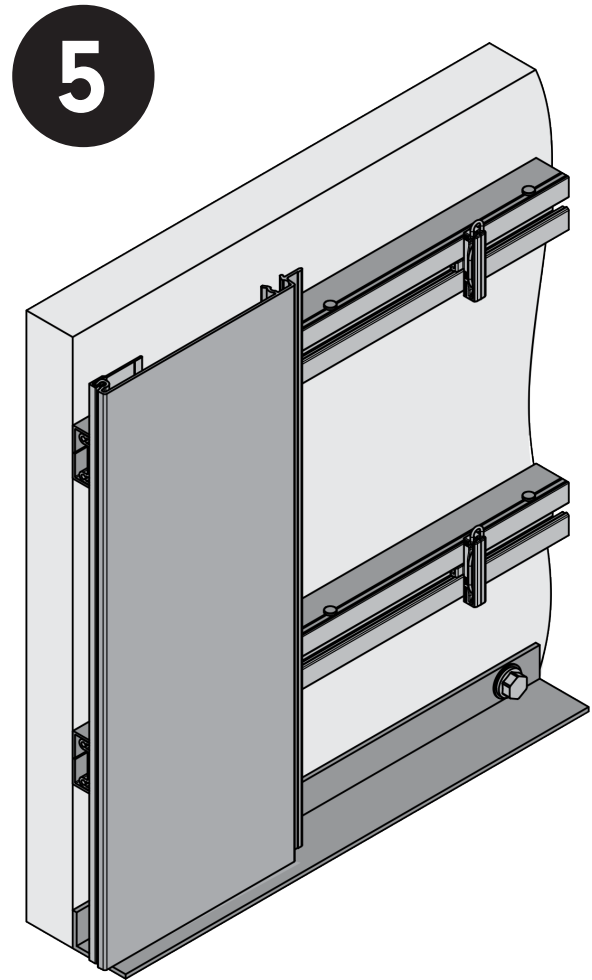
Stitching spans: at every substrate fixing, and in the centre of the span, as shown.

	a: End of Mounting Track to center of clip	b: End of board to center of clip
75x12 Flat	49.5mm	63mm
150x12 Flat	124.5mm	138mm
300x12 Flat	274.5mm	288mm

Installation Procedure Continued



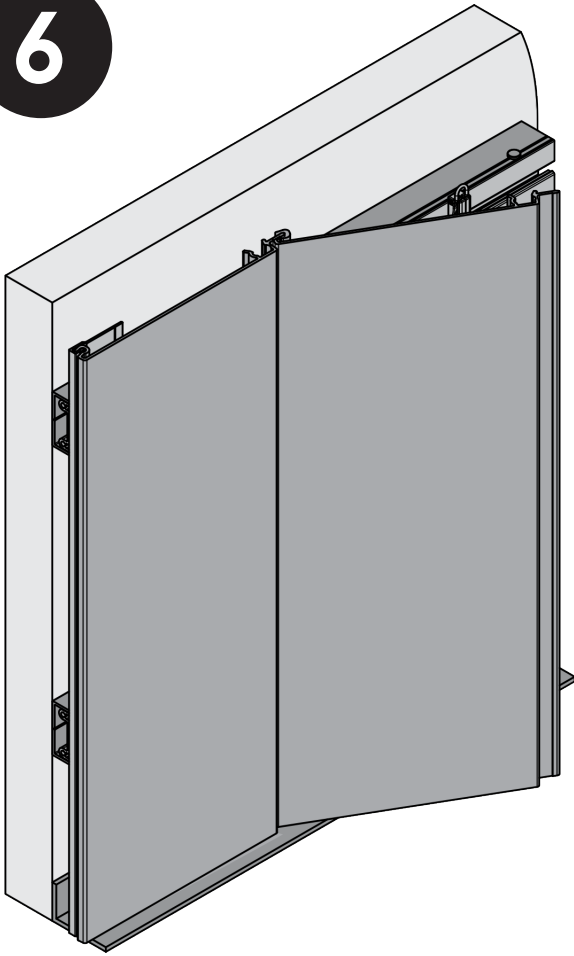
Once all the trims are installed, fit the starter profile to the face of the mounting track with the black screws supplied.



Fit your first cladding board, by engaging the groove side into the tongue of the starter profile, rotating the board down and clicking it into engagement. A 'CLICK' will be heard once engagement has taken place.

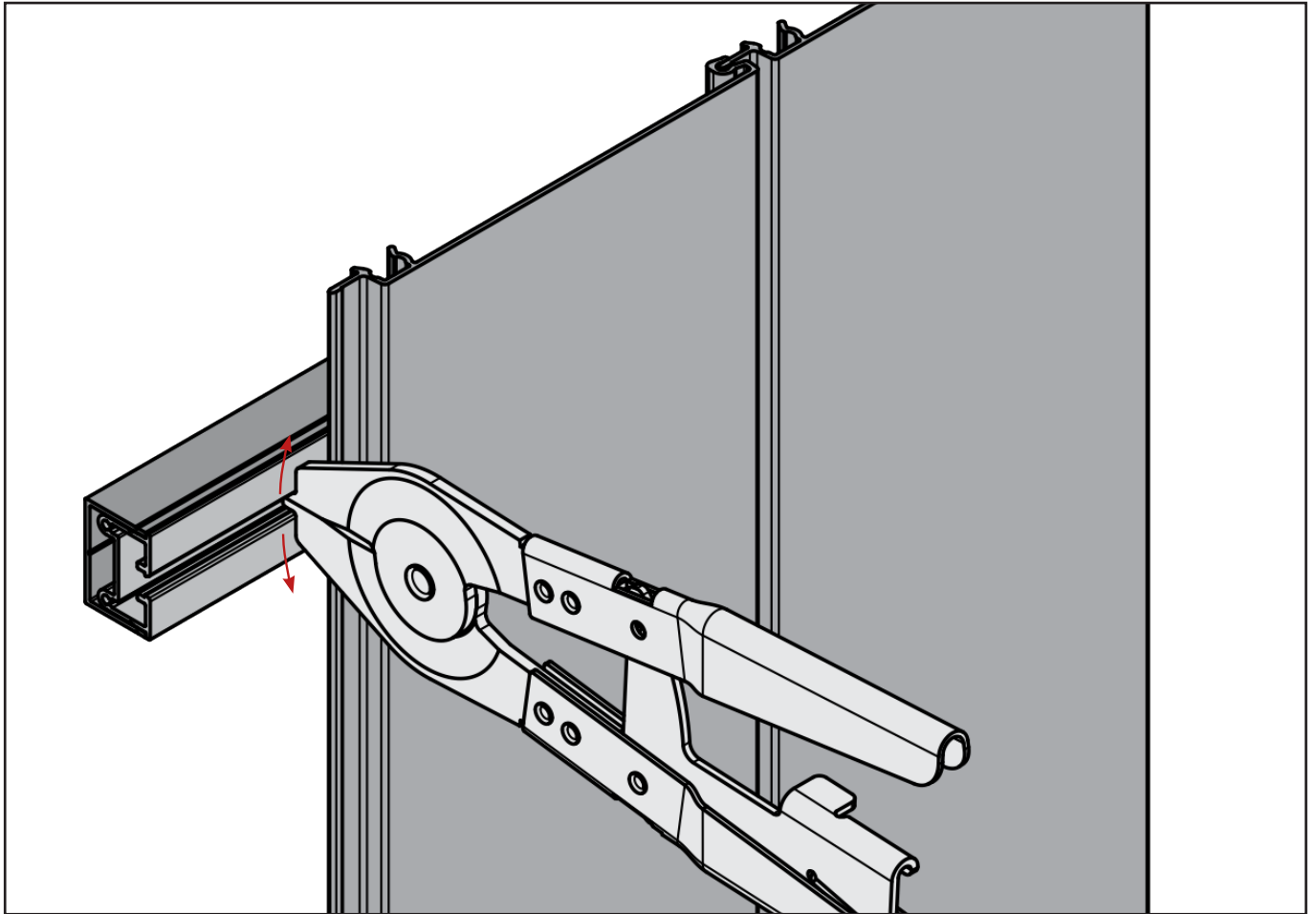
Installation Procedure Continued

6



Fit the next cladding board and continue this process.

Removing a Cladding Board

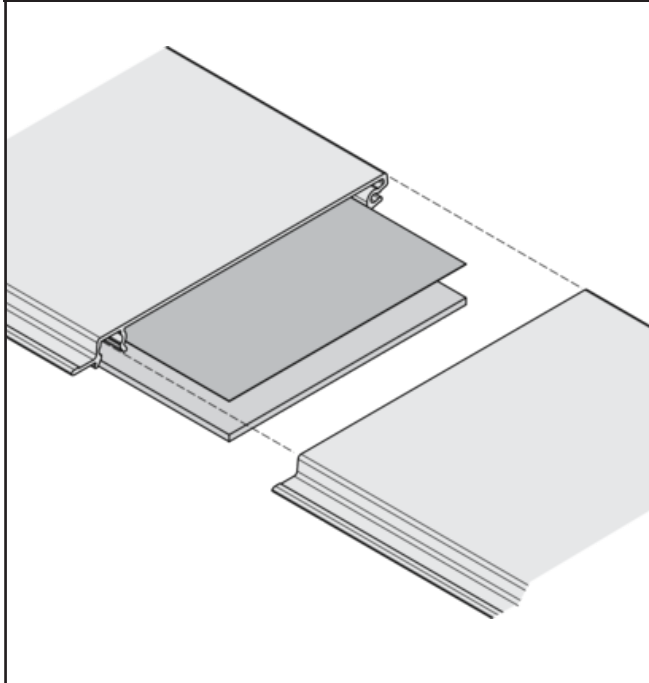


To remove a cladding board:

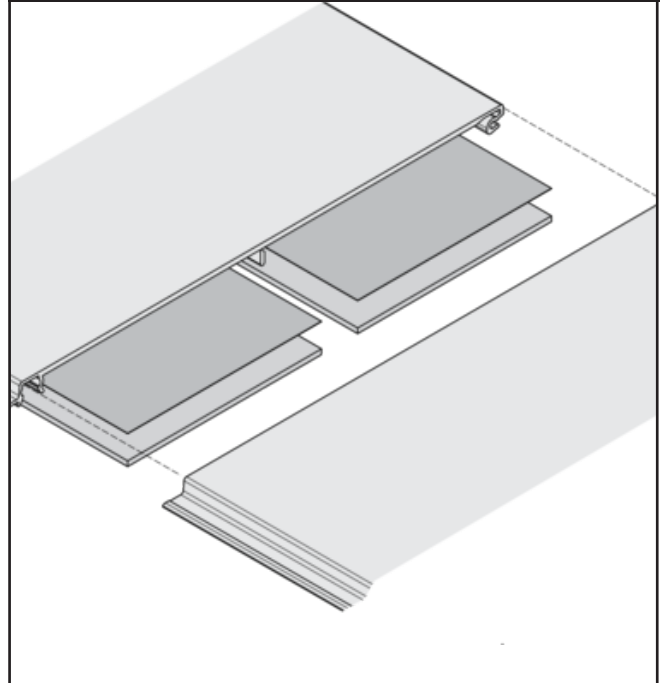
1. First take out any mechanical fasteners.
2. Insert the tips of the removal tool into the throat of the track as close to the tongue side of the cladding board as possible.
3. Squeeze the handle until the first click is heard. This will spread and release the clip from the track.
4. Gently tug on the cladding board to remove. If required, take the removal tool to a second click to spread the track further, taking care not to damage the track.
5. To reinstall the cladding board, the clips can be re-engaged into the track.

Joining Cladding Boards

75x12mm AND 150x12mm CLADDING BOARDS REQUIRE 1 JOINER



300x12mm CLADDING BOARDS REQUIRE 2 JOINERS



For each join you will receive:

- Double-sided tape alignment plate with
- Scotch-Brite pads and
- Cleaning alcohol

Joining Procedure

1. Using the Scotch-Brite abrasive pad, rub the back of the cladding where the alignment plate will be stuck across the butt joint.
2. Using the cleaning alcohol, wipe the area to ensure it is free of dirt, oil and other contamination.
3. Take the liner off the tape gently and align the butt joint, pressing the plate evenly across the back of the butt joint to ensure full adhesion.

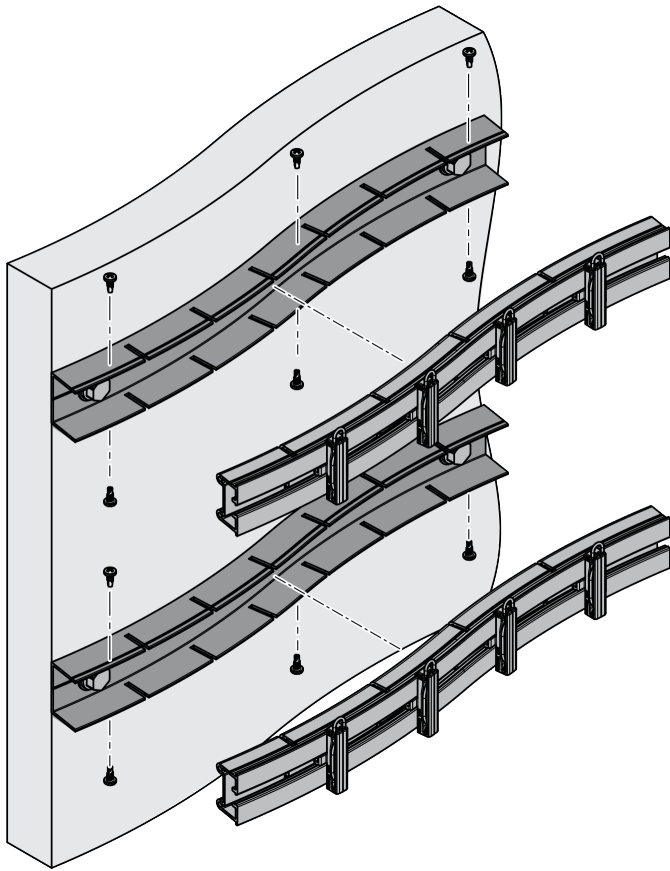
Maximum joined cladding board lengths allowed:

- Exterior facade: Joining not allowed. Interstory brake required. See page 23.
- Internal wall/external soffit: 18m maximum. Larger than this, the express join trim required, see page 15.

Other important notes:

- The double-sided tape and cladding board need to be at least 16° C at time of fitment. If it is colder than that it is recommended that a heat gun is used to increase the temperature.
- The back of the cladding boards needs to totally dry prior to sticking the joiner plate on.
- When joining cladding boards using this method, make sure they are located randomly for a seamless look.

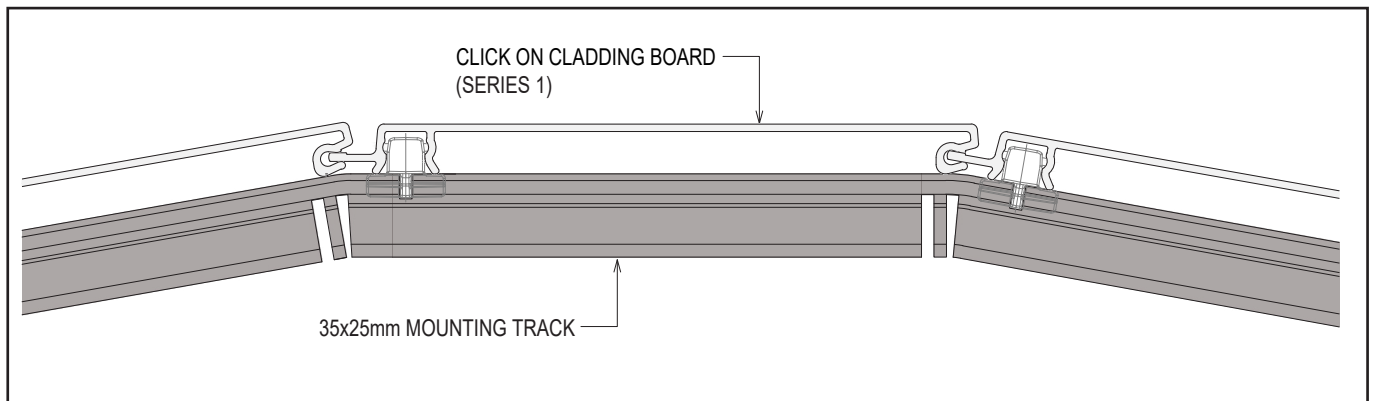
Installing Curved Mounting Tracks



Curved Mounting Track is a flexible track designed to be wrapped around curved surfaces. The track is supplied to site straight, but the slots cut in both track extrusions allow the track to flex.

The curved track needs continuous back support to fix to, like rolled steel sections. It can't span between studs, for example.

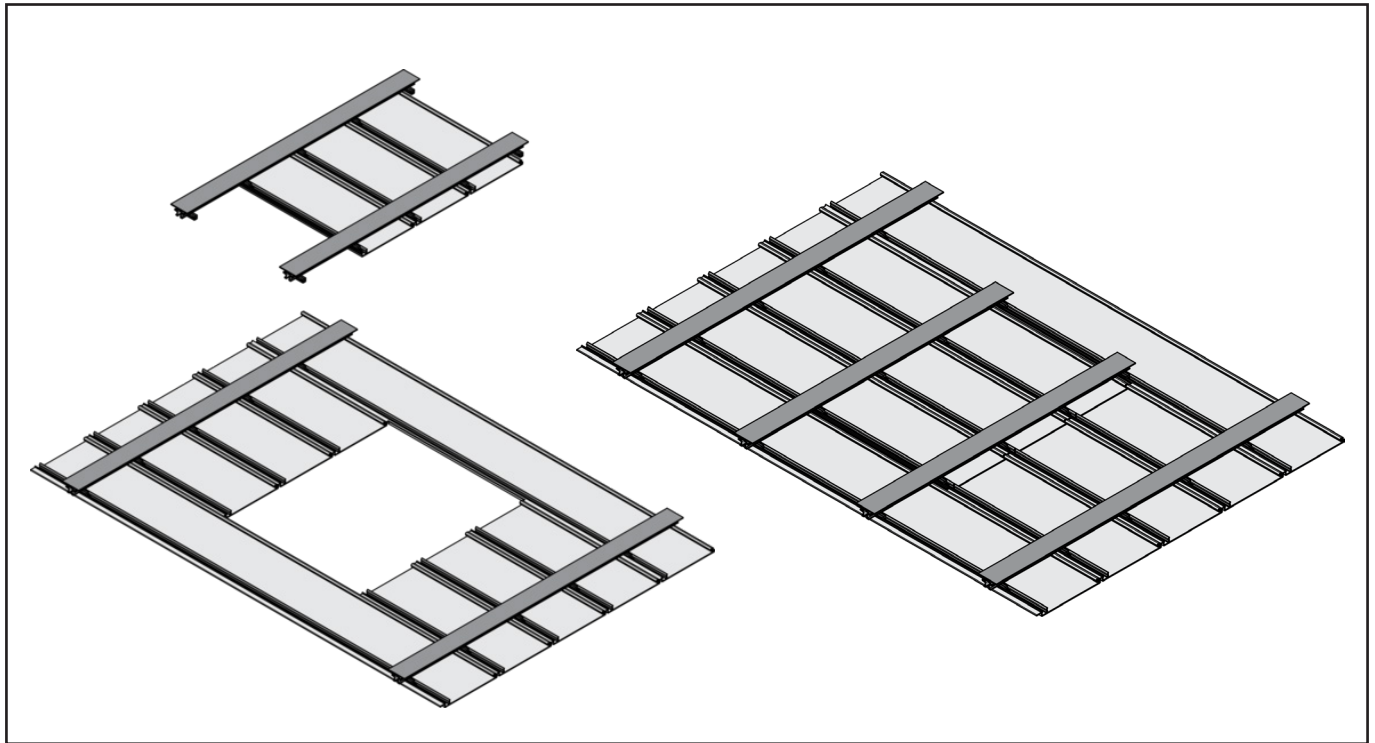
The track is designed to curve using a series of flat facets and hinge points (slots). The hinge points on the track align with tongue and groove of the cladding to create a consistent curve.



To install the curved track

1. First roughly shape the Track Base profile to the approximate radius. This can be done using the curved substrate you are fixing to as a guide.
2. Fix the shaped Track Base to the substrate roughly every 200mm or as required.
3. Again, shape the mounting track with clips to the approximate radius, ensuring the angle at each hinge is consistent over the length of the track. Make sure the clip is on the correct side of the hinge point for the direction the cladding is running along the wall.
4. Fit the Mounting Track into the Track Base and stitch, top and bottom as required.

Soffit / Ceiling Access Panel



If an access panel is required in a soffit or ceiling application, we recommend you use a drop-in style hatch.

This panel is simply made up onsite with the Mounting Tracks and cladding boards supplied.

To fit,

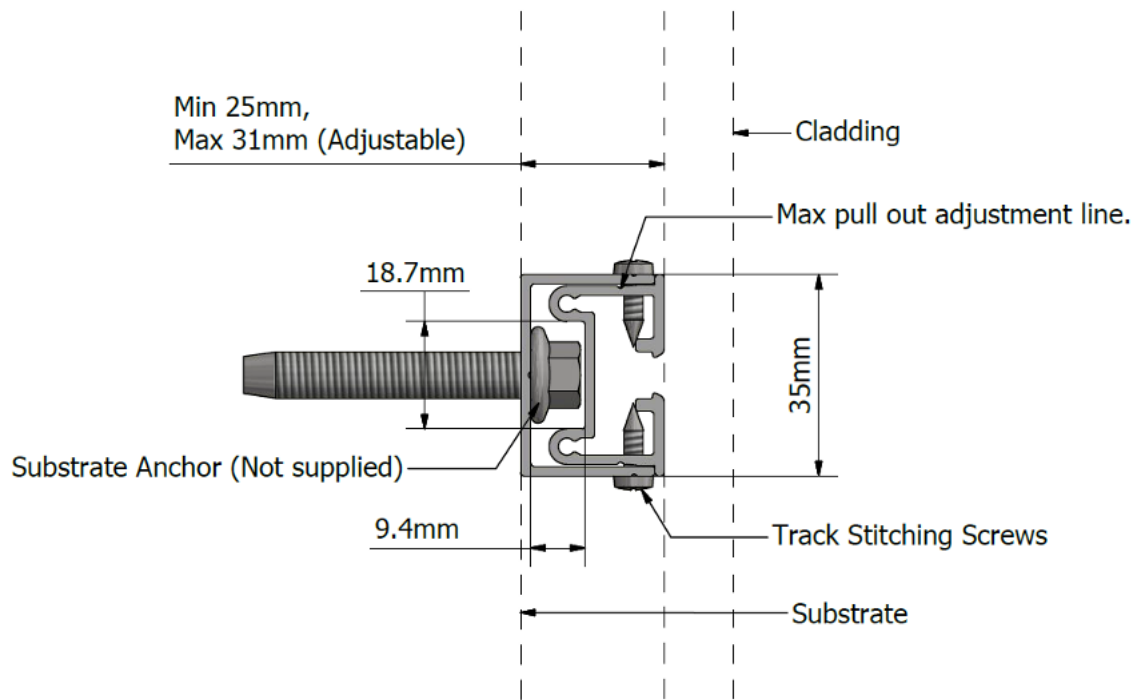
1. Install cladding boards around where the access panel is required, leaving the required opening (generally 600mm).
2. Rip the tongue off the boards where required to allow the panel to push up.
3. Cut short length of cladding boards for the access panel allowing for a 1-3mm clearance gap around the panel.

4. Assemble the access panel with two mounting tracks. Overhang the mounting tracks 1 clip further on each side of the access panel.
5. Remove the spring from these four overhang clips.
6. Feed the access panel through the hole in the ceiling and drop into place. The Clips without springs will engage to ensure alignment.

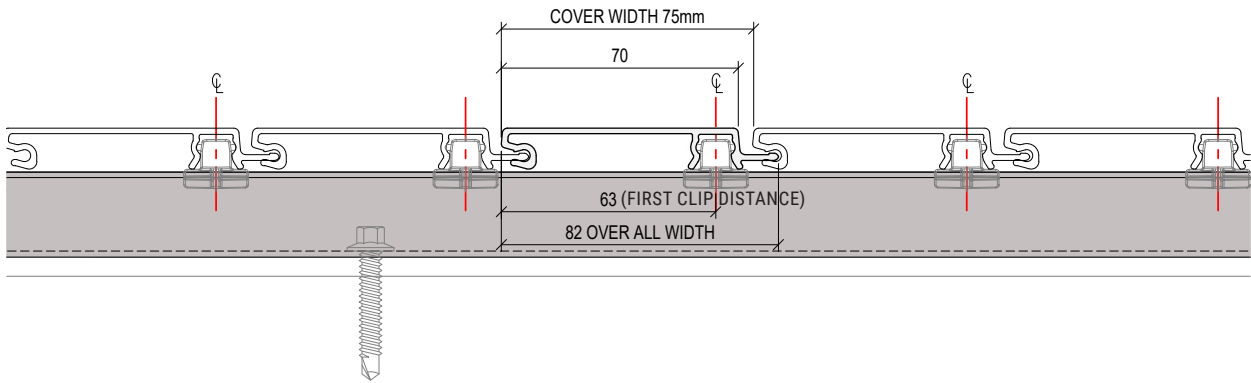
To operate, lift the panel up rotate and drop through the opening to avoid damage of the surface.

List of Components and Key Dimensions

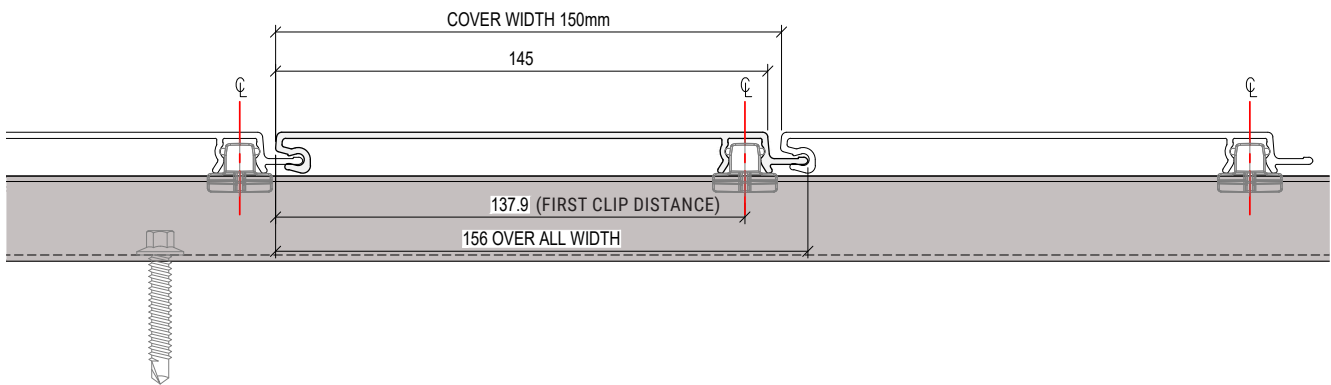
35x25mm MOUNTING TRACK



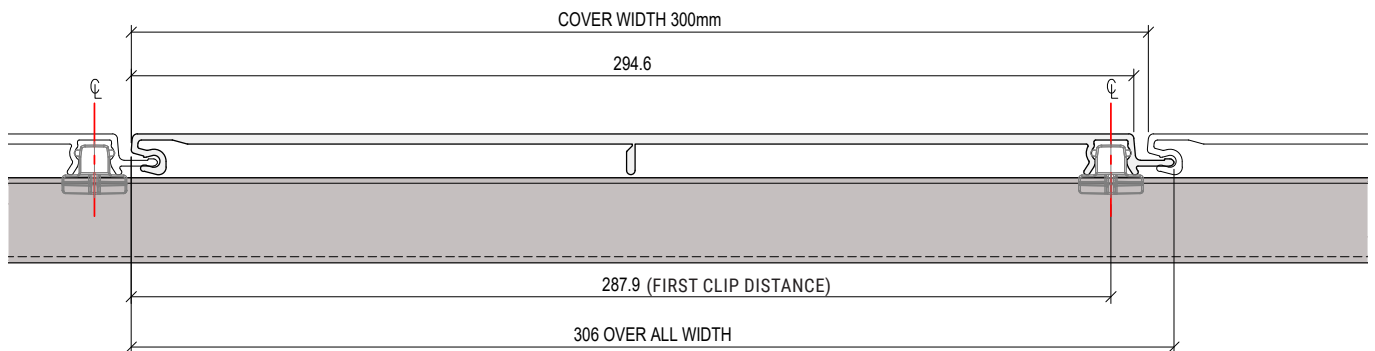
CLADDING BOARD: 75x12mm FLAT



CLADDING BOARD: 150x12mm FLAT

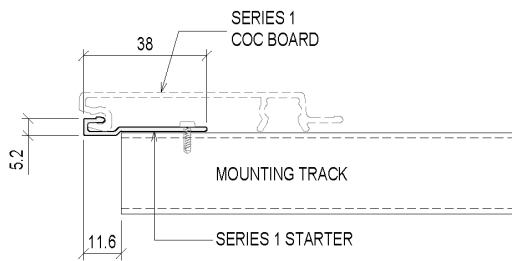


CLADDING BOARD: 300x12mm FLAT

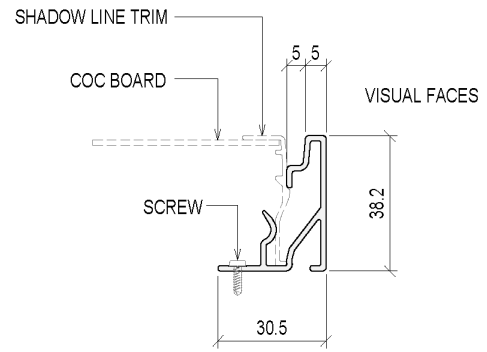


Trims

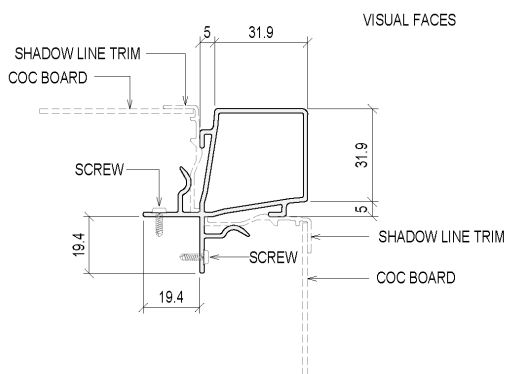
STARTER PROFILE



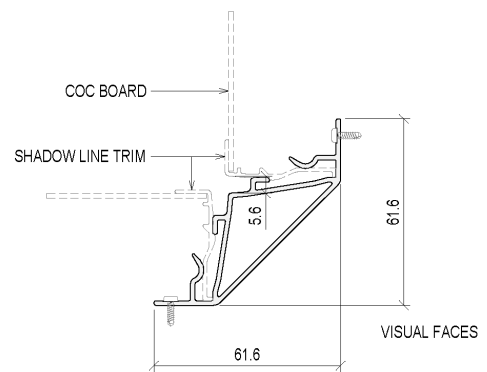
END TRIM



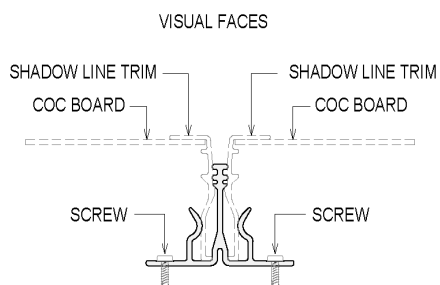
EXTERNAL CORNER TRIM



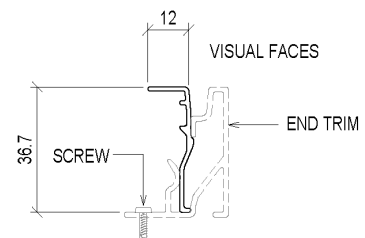
INTERNAL CORNER TRIM



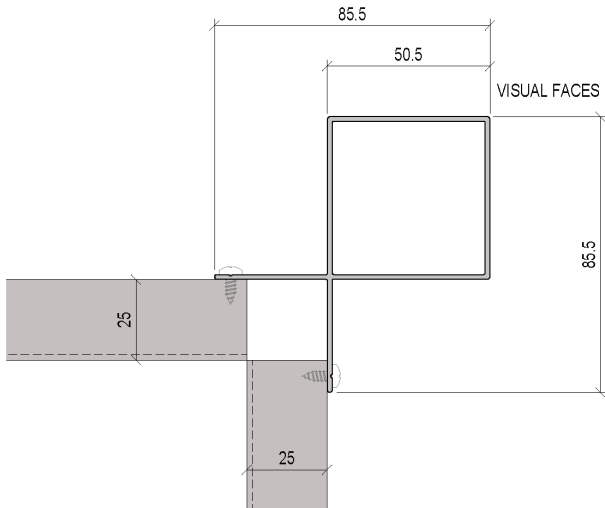
ESPRESSO JOIN TRIM



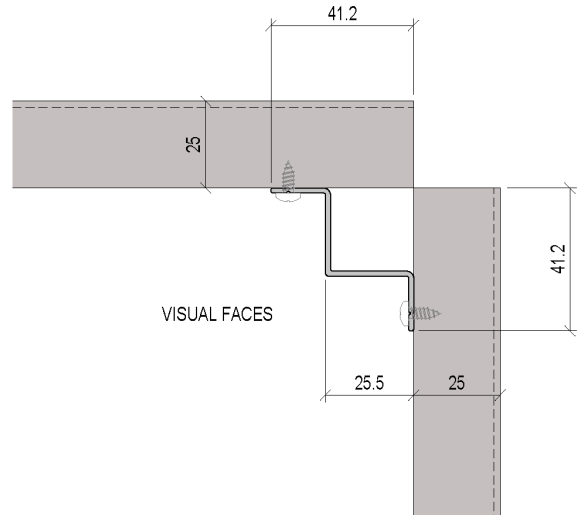
SHADOW LINE TRIM



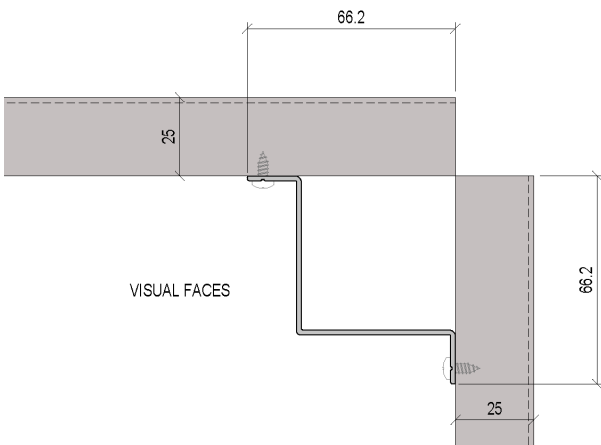
CLOSED EXTERNAL CORNER 50mm



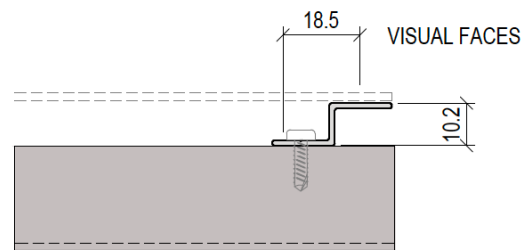
CLOSED INTERNAL CORNER 25mm



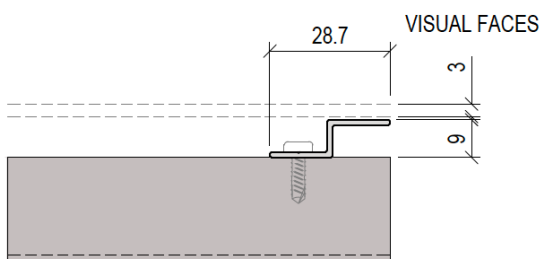
CLOSED INTERNAL CORNER 50mm



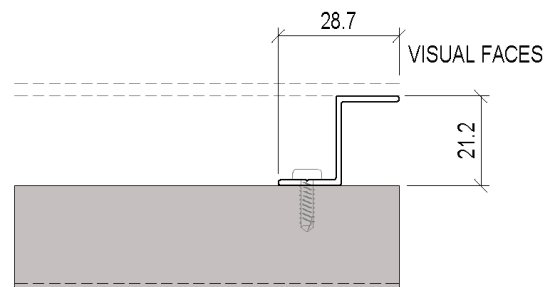
BOARD SUPPORT PROFILE: 1.8mm



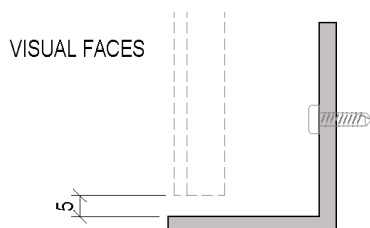
BOARD SUPPORT PROFILE: 3mm



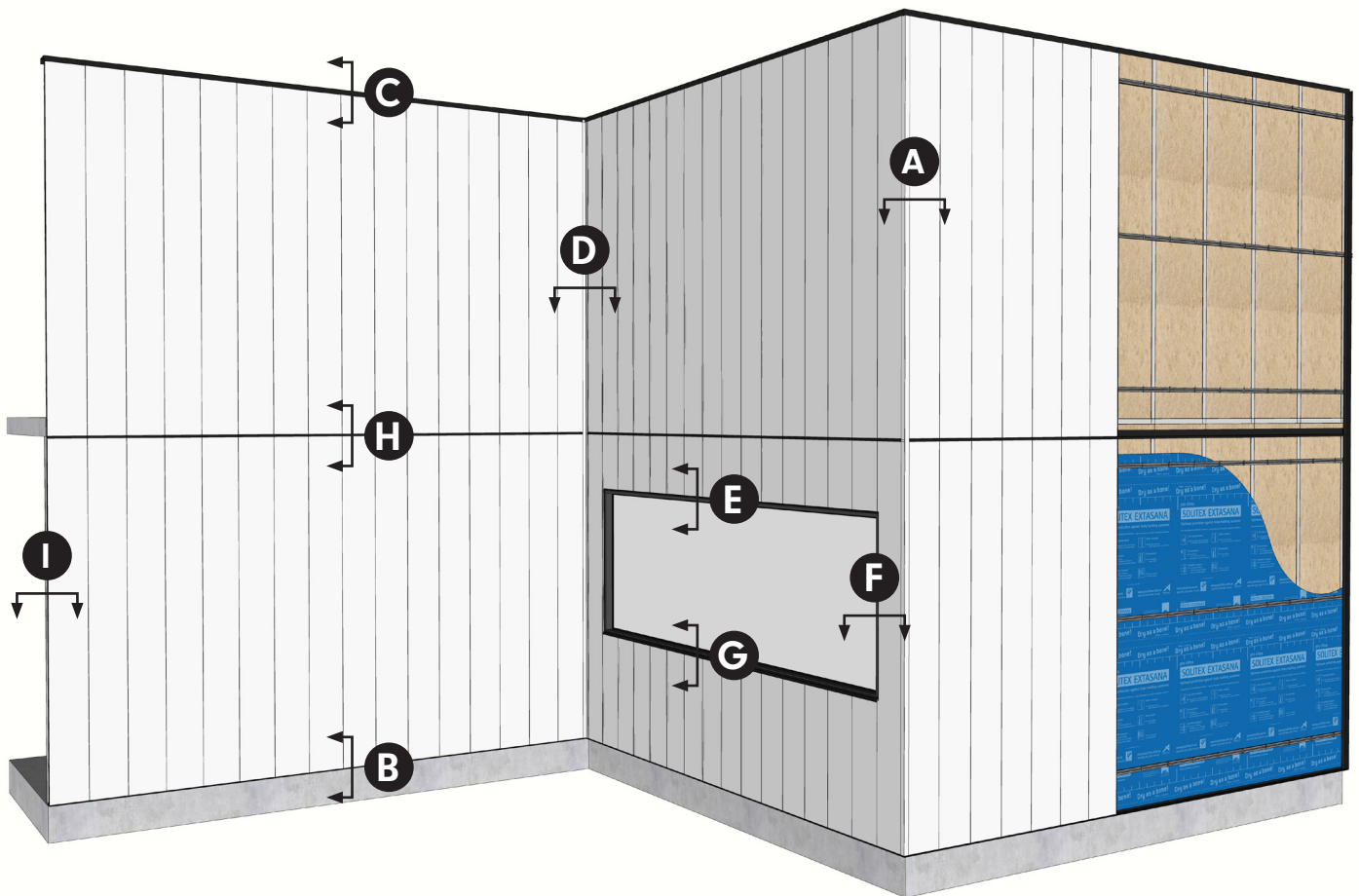
BOARD SUPPORT PROFILE: 23mm



L-PROFILE



Construction Details



A: External Corner Details _____ **18**
12mm Vertical Cladding

B: Base Detail _____ **19**
12mm Vertical Cladding
12mm Horizontal Cladding

C: Top Capping Details _____ **20**
12mm Vertical Cladding
Soffit Junction Cladding

D: Internal Corner Detail _____ **21**
12mm Vertical Cladding

E: Penetration Header Detail _____ **22**

F: Penetration Side Detail _____ **22**

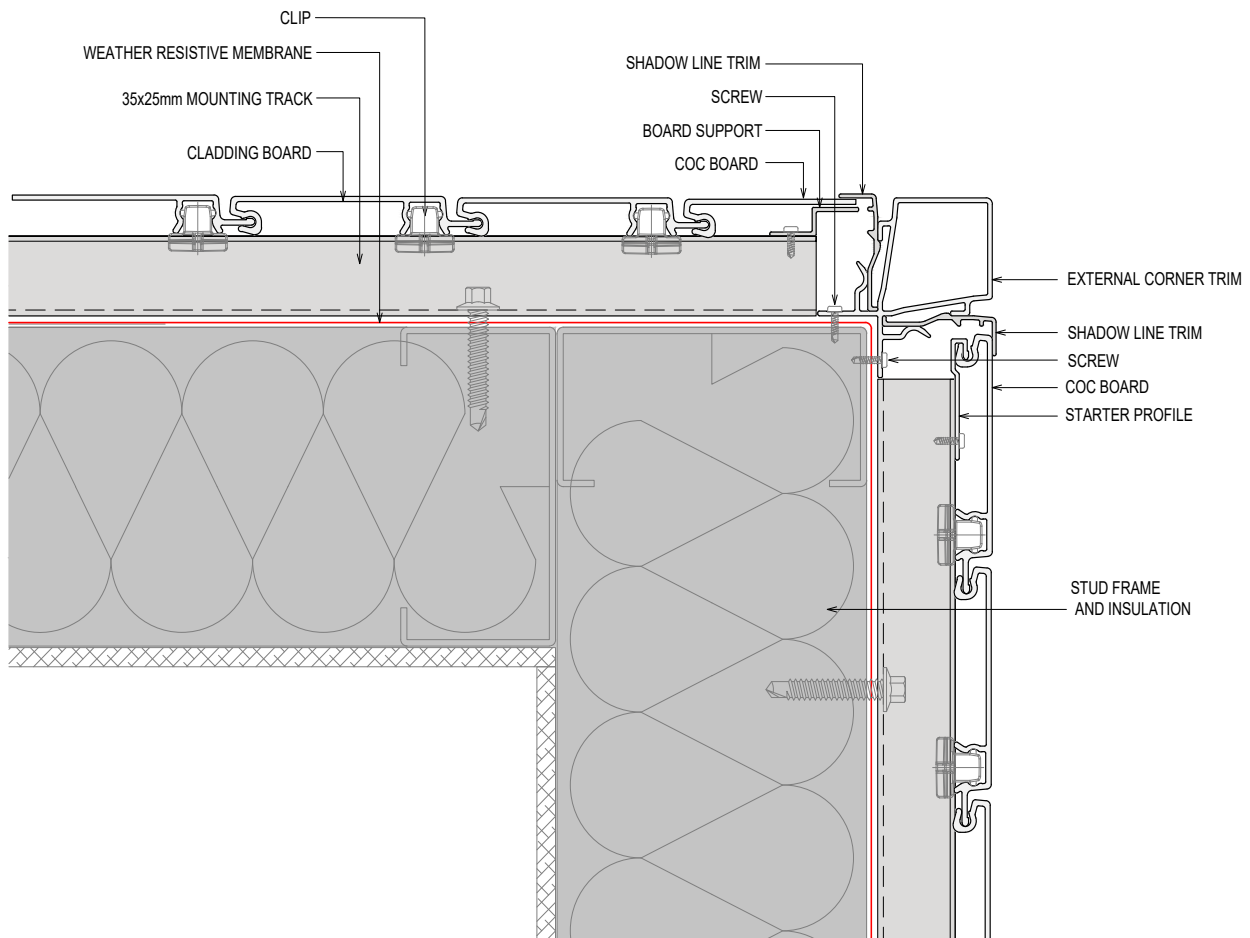
G: Penetration Sill Footer Detail _____ **23**

H: Interstory / Board Joint Detail _____ **23**

I: End Detail _____ **24**

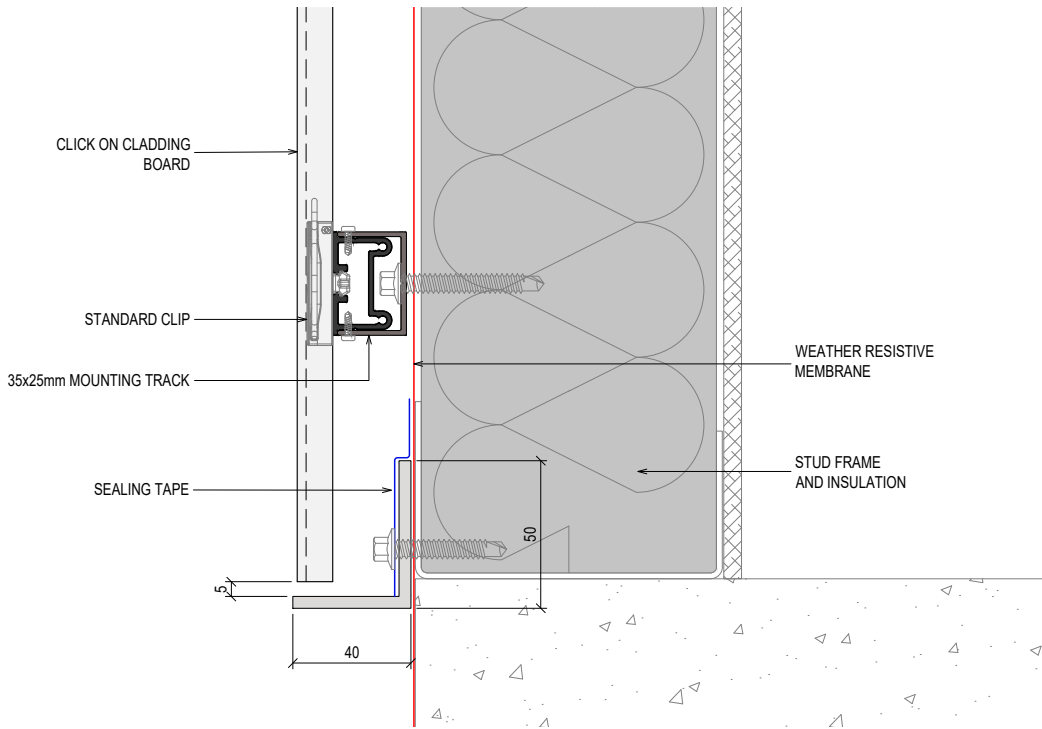
A: EXTERNAL CORNER DETAILS

Vertical Cladding

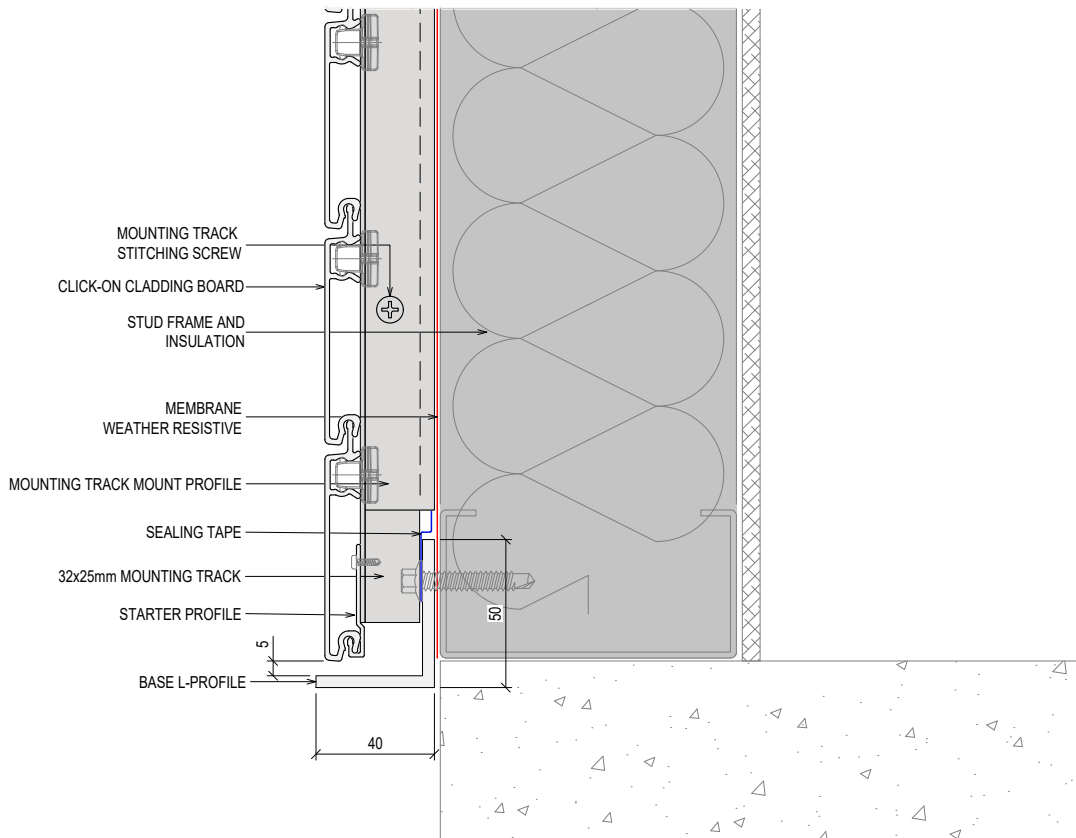


B: BASE DETAIL

12mm Vertical Cladding

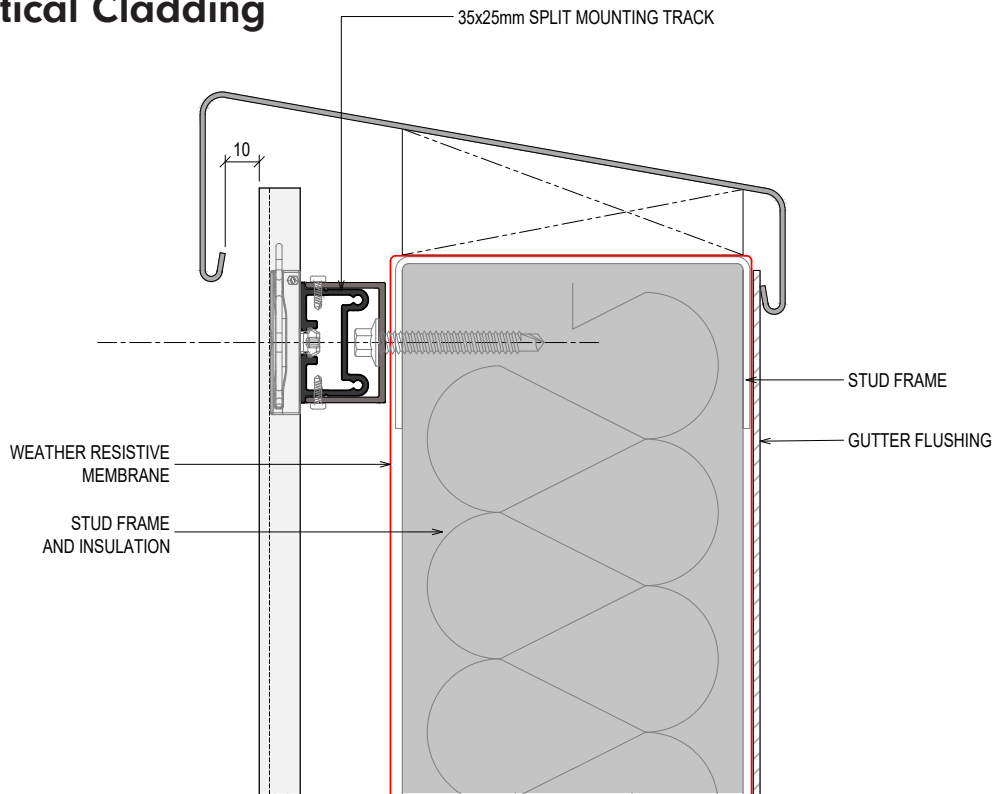


12mm Horizontal Cladding

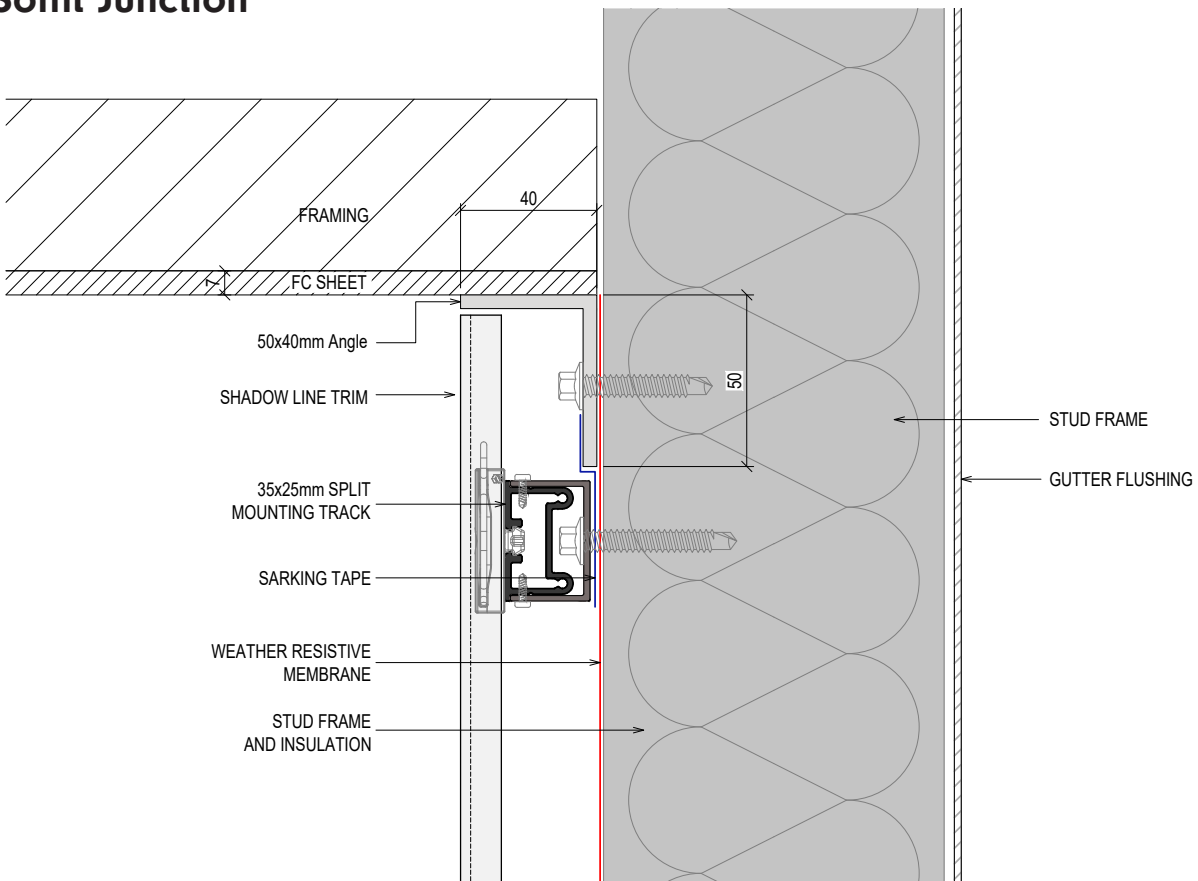


C: TOP CAPPING DETAIL

12mm Vertical Cladding

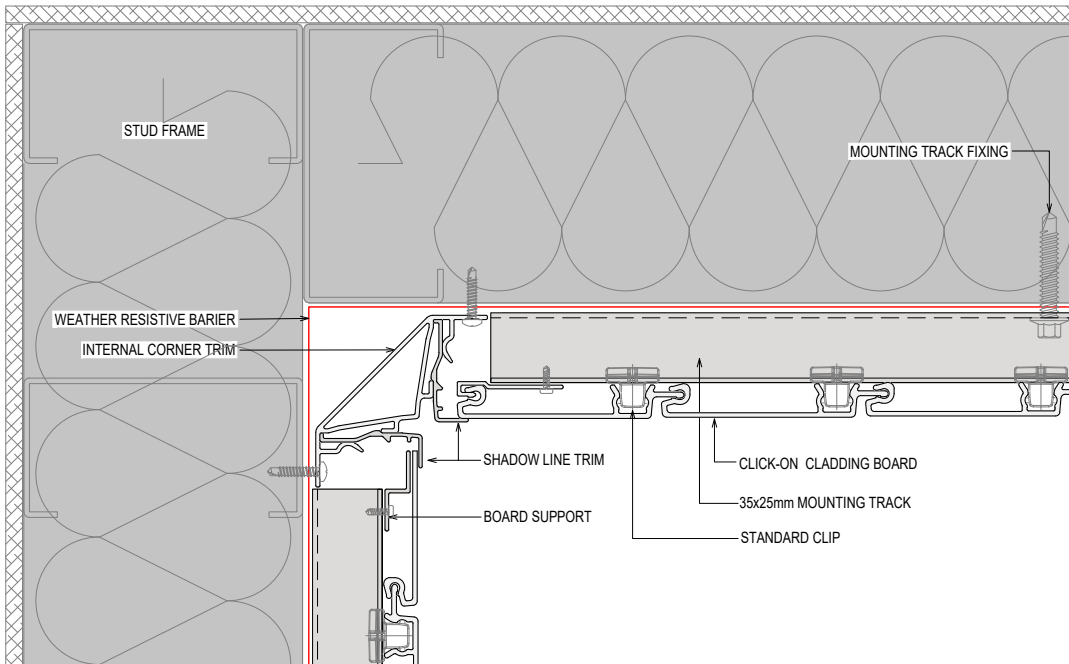


Soffit Junction

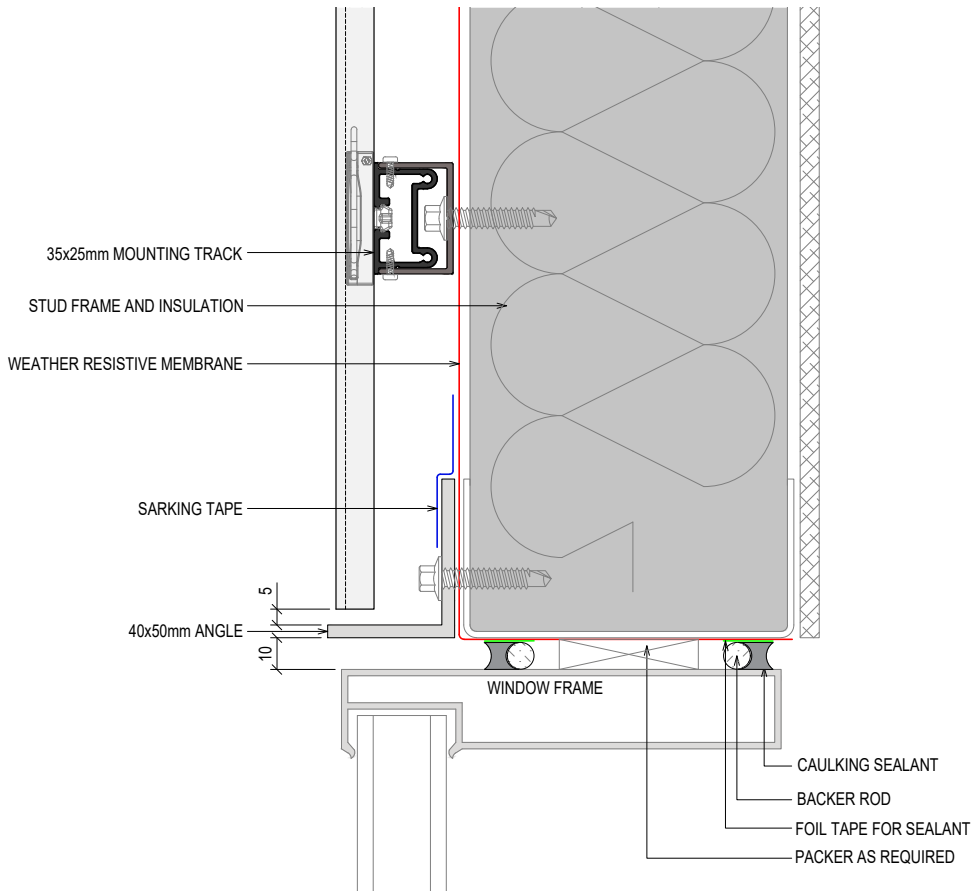


D: INTERNAL CORNER DETAILS

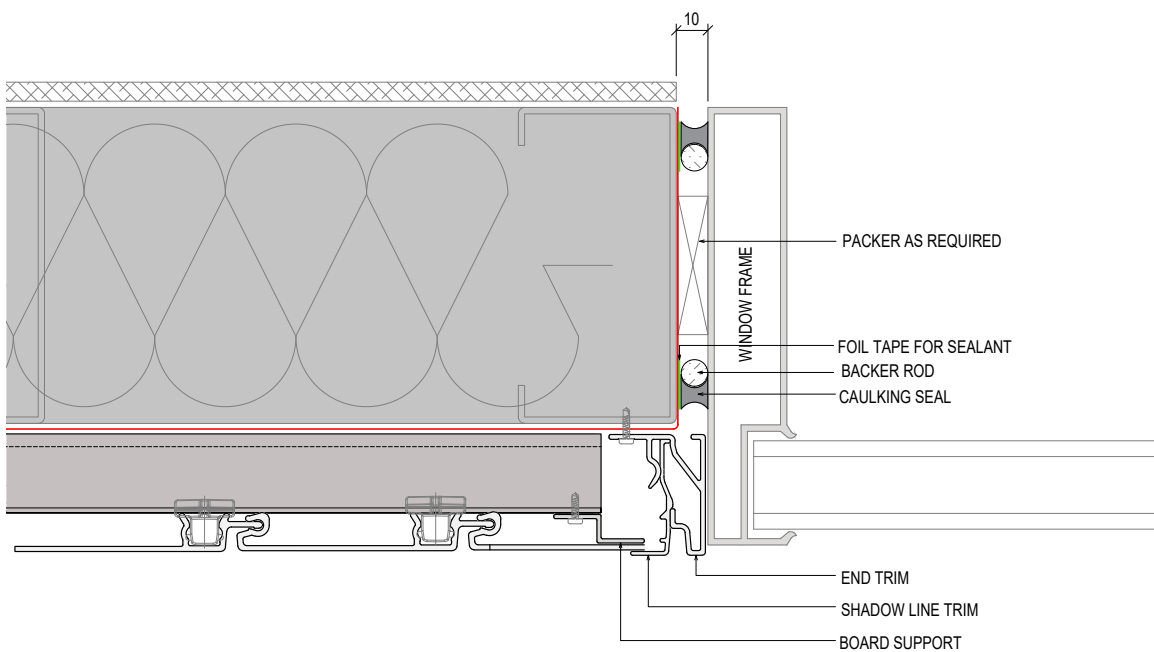
12mm Vertical



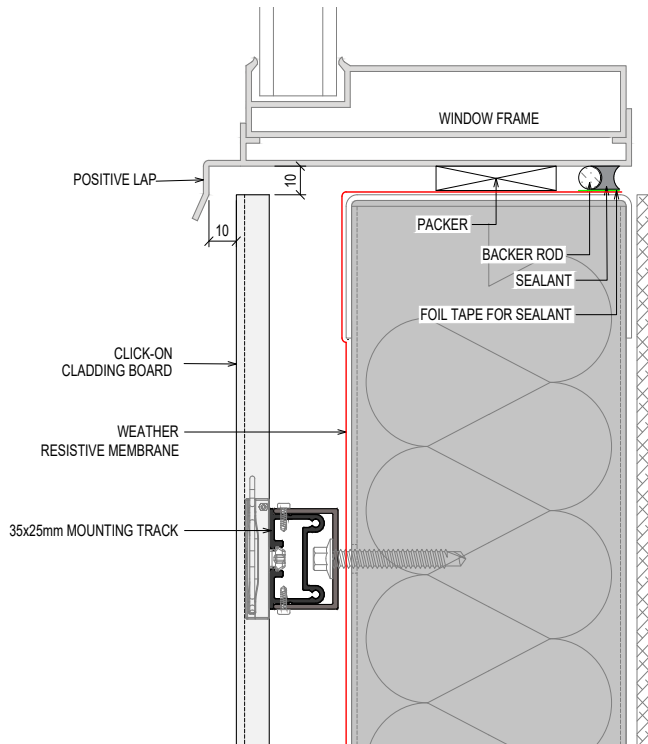
E: PENETRATION HEADER DETAIL



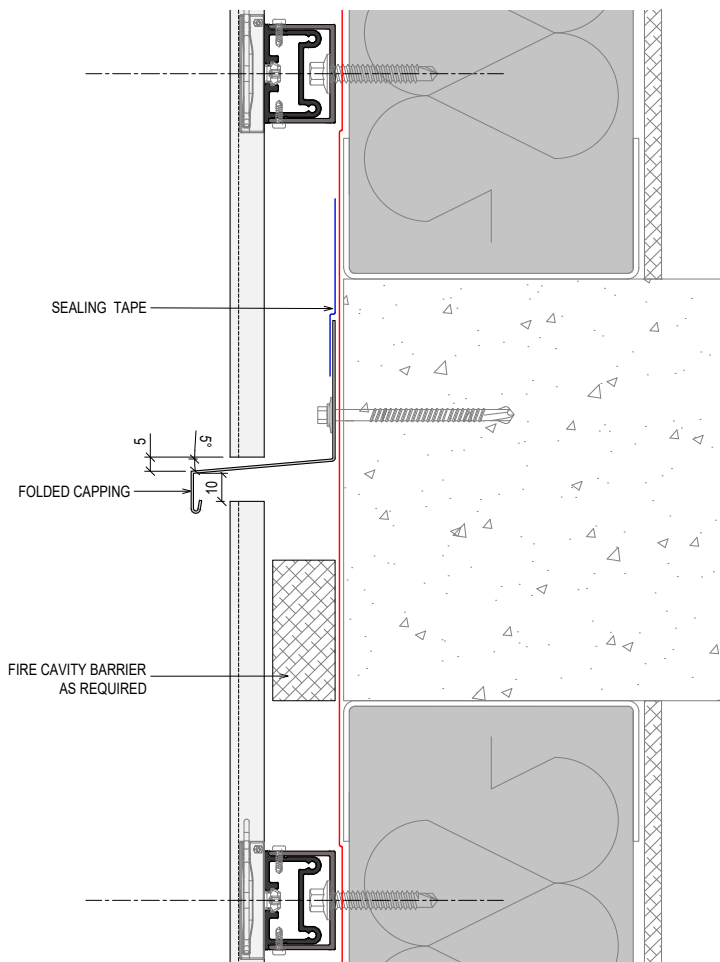
F: PENETRATION SIDE DETAIL



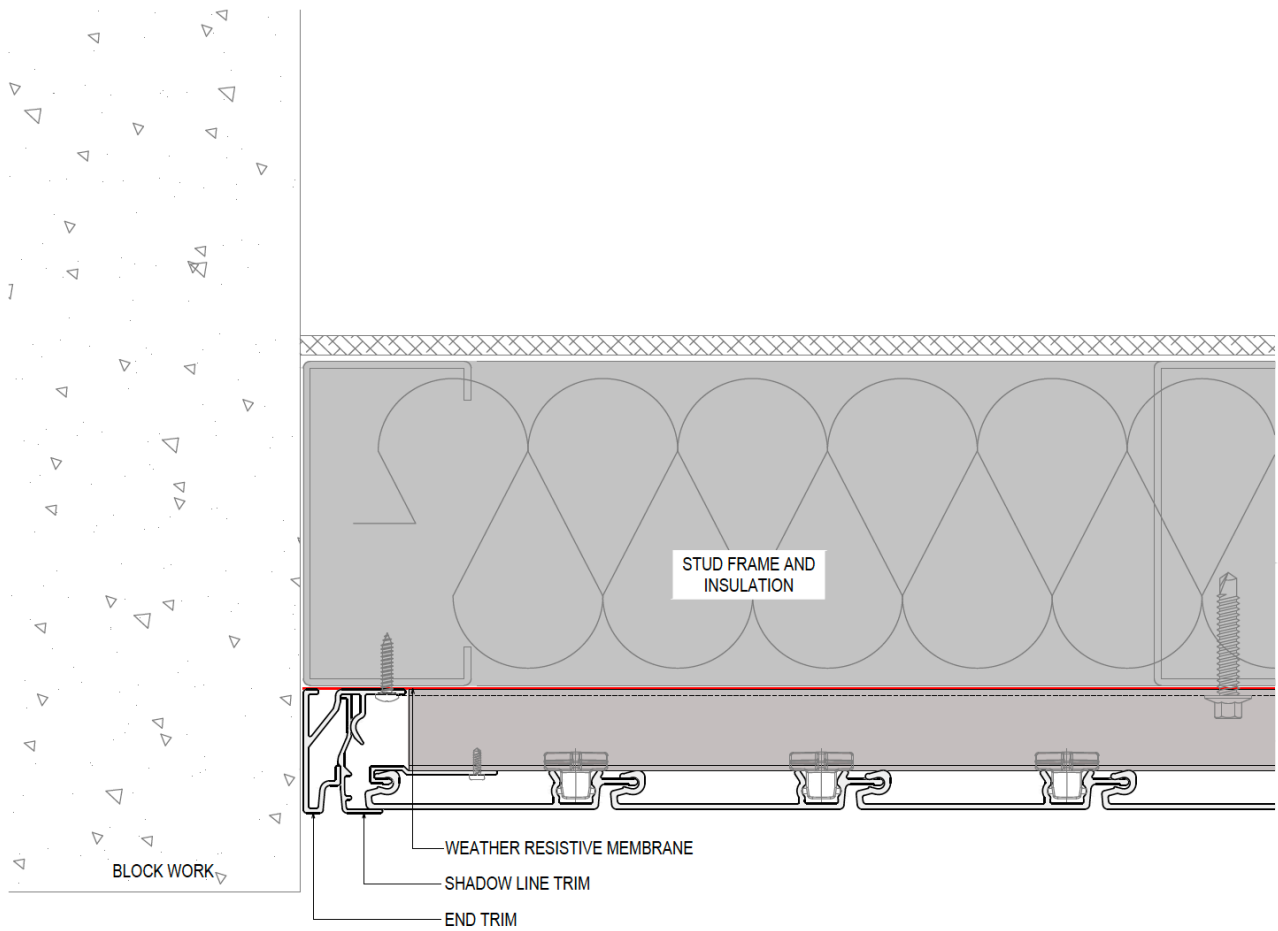
G: PENETRATION SILL FOOTER DETAIL



H: INTERSTORY / BOARD JOINT DETAIL



I: END DETAIL



Soffit Details



A: Edge Detail

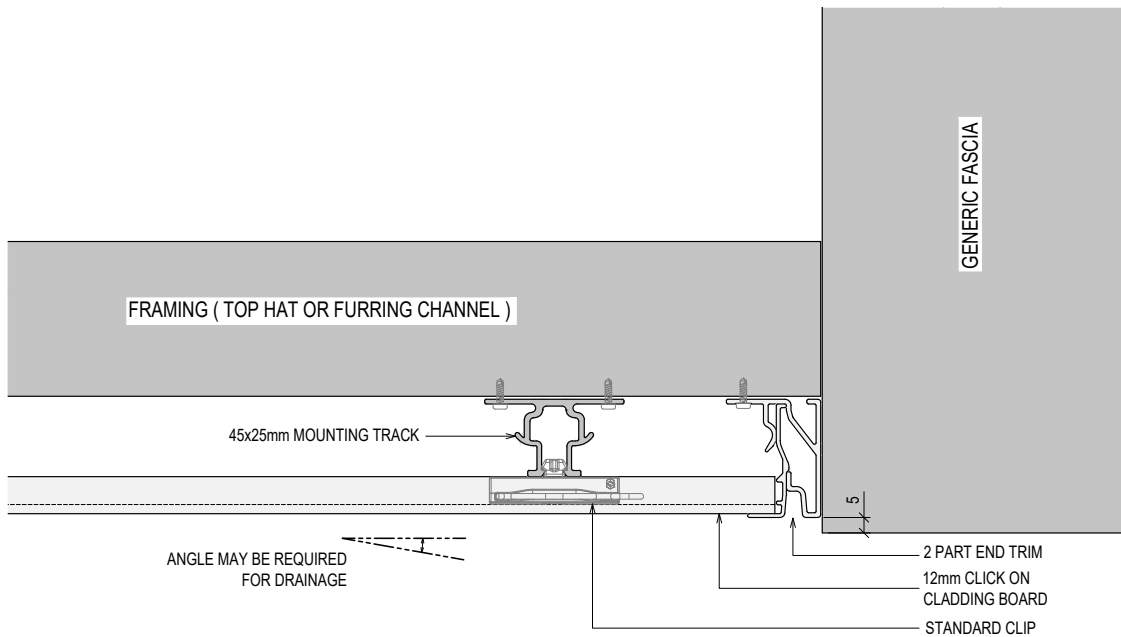
33

Soffit Perimeter Edge Detail - Straight 50x40 L-Profile

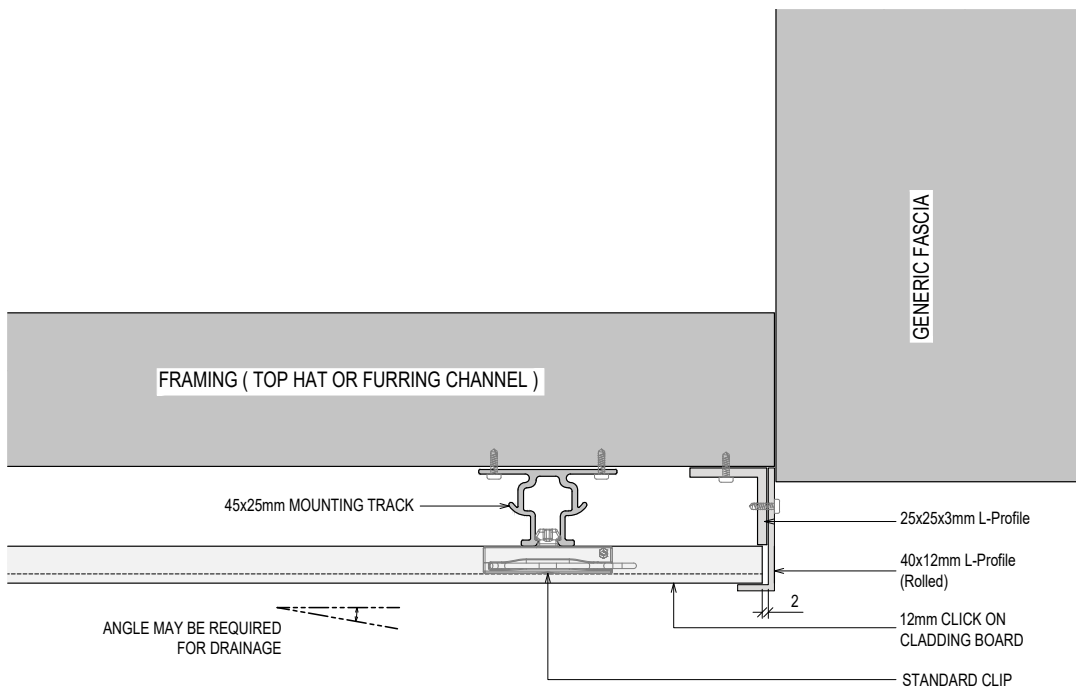
Soffit Perimeter Edge Detail - Curved Trim

Soffit to Facade Transition

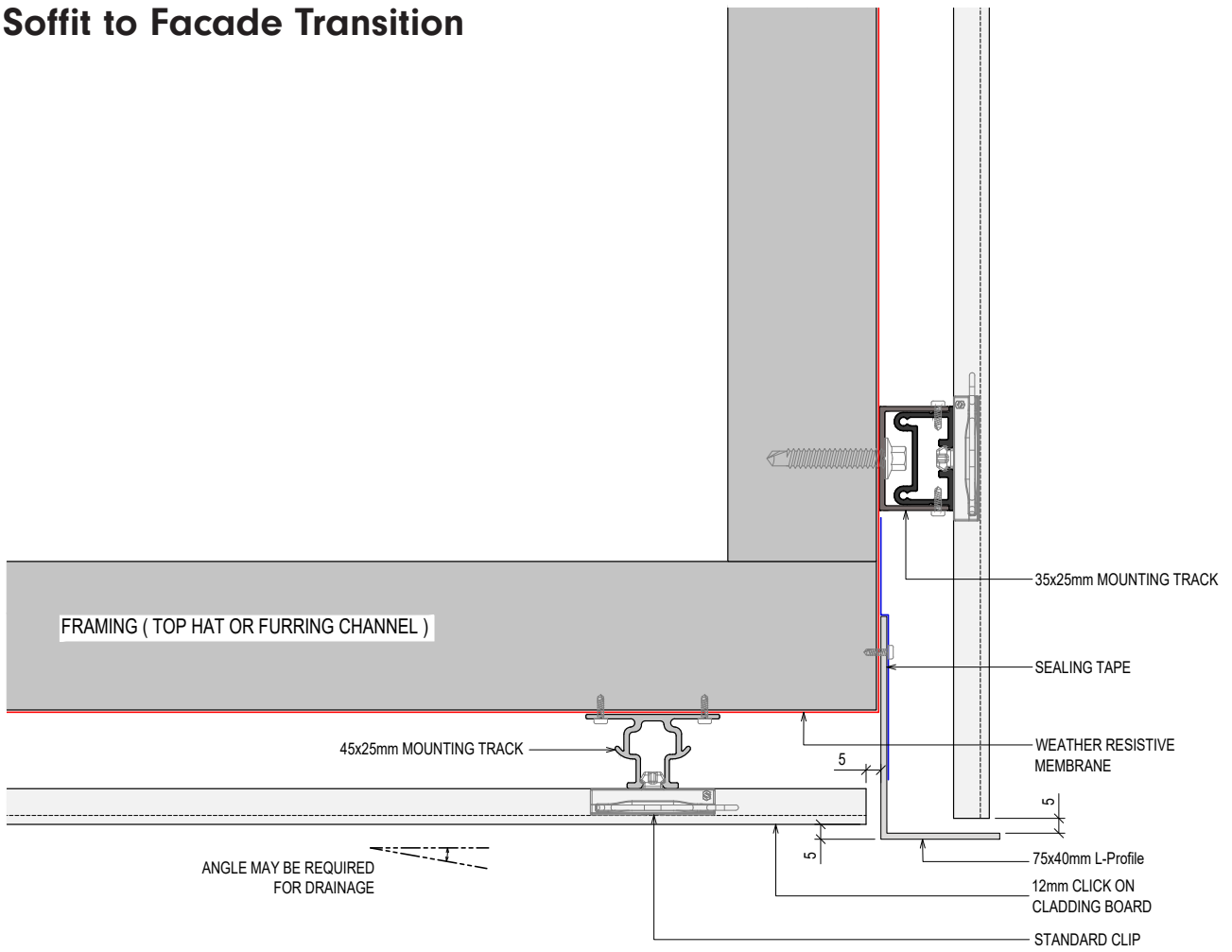
Soffit Perimeter Edge Detail - Straight 50x40 L-Profile



Soffit Perimeter Edge Detail - Curved Trim



Soffit to Facade Transition





Head Office
9 Gray St, Golden Square
VIC 3555 Australia

Melbourne Design Studio
50 Queen St, Melbourne
VIC 3000 Australia

T 1800 008 828
W sculptform.com